



UGP100063

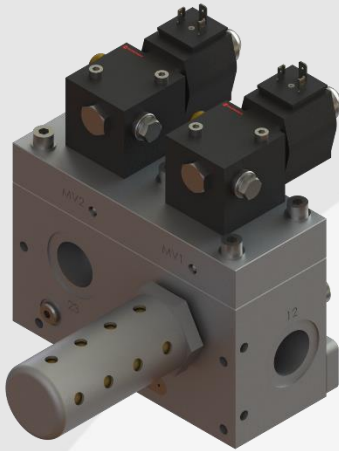
UNITEQ BV

Oude Graaf 18, 6002 NL, Netherlands
T. +31 495 52 45 65
E. sales@uniteq.nl

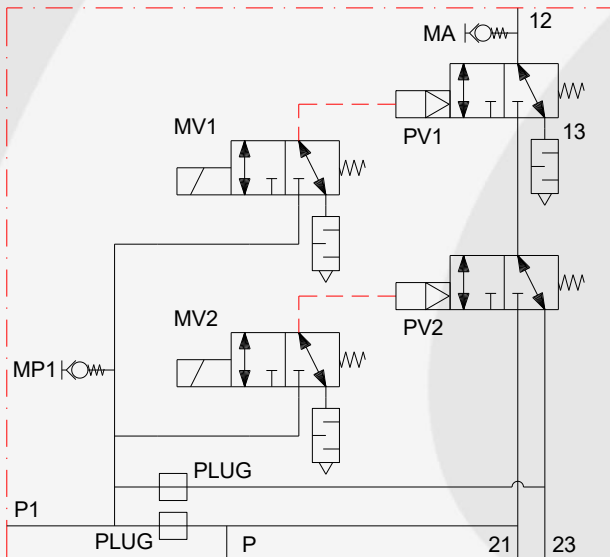
Version 2022.v01 EN

Pneumatic manifold G1-MO 2xNC-O/C 1xNC

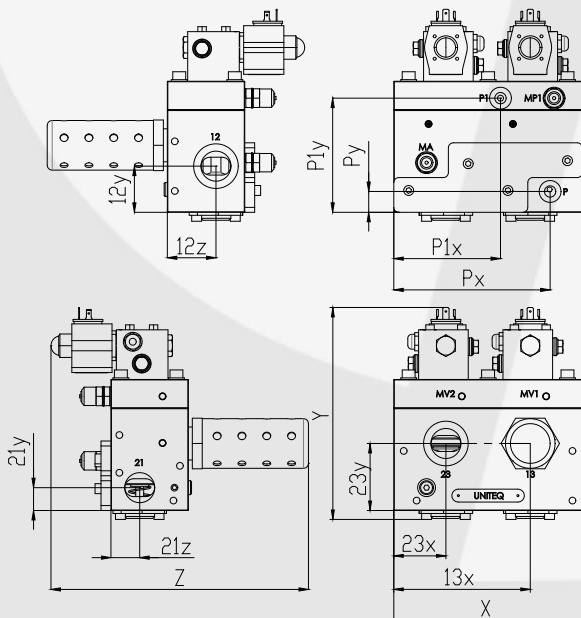
Image



Symbol



Drawing



Technical features

- Suitable for single acting (SA) actuator
- Fail safe open/close function (1x NC, power/signal loss)
- Open close (O/C 1x NC) function
- Modulating (MO 2x NC) function
- SIL2 certified according to IEC 61508
- Open close function (O/C 1x NC)
- Internal connection prepared for lock-up function
- Operation pressure 0...10 bar (0...145psi)
- Operation temperature -25°C -13°F / +70°C +158°F
- Supplied medium air, filtered non-lubricated and dry
- Equipped with prepared lock-up valve connection (P/P1)
- ATEX implementation suitable

Technical data

Sizes & selection

Port size	Max flow ltr/min	Model	CV (kg)	
			21/22	13/23
G1	8.000	UGP100063	...	6.2

Configuration

Function: MO (2x NC "MV1/MV2")
O/C (1x NC "MV1")

Connections

Port (21/23): main supply connection
 Port (P/ P1): external supply solenoid valve
 Port (12): supply to actuating
 Port (13): release
 MA/MP1: measurement connection

Electric

Power consumption solenoid valve (MV1/MV2):
 16.9 W, 24 VDC, 703 mA, IP65.
 17.3 VA, 230 VAC, 75 mA, IP67.

Order codes:

UGP100063-24VDC or UGP100063-230VAC

Sizes

Dimensions

13	21	12	23	P	P1	MA
G1	G1	G1	G1	G1/4	G1/4	G1/4
MP1	PLUG	12z	P1y	Py	P1x	Px
G1/4	G1/8	49	115	21	108	158
21y	23y	23x	13x	21z	12y	
23	76	52	138	29	47	
X	Y	Z				
190	203	262				

Support connection manifold

4 times holes M8, depth 12mm

Material

Housing: Aluminium anodize
 Internal parts: Stainless steel, Brass, POM
 Seals: NBR / PUR